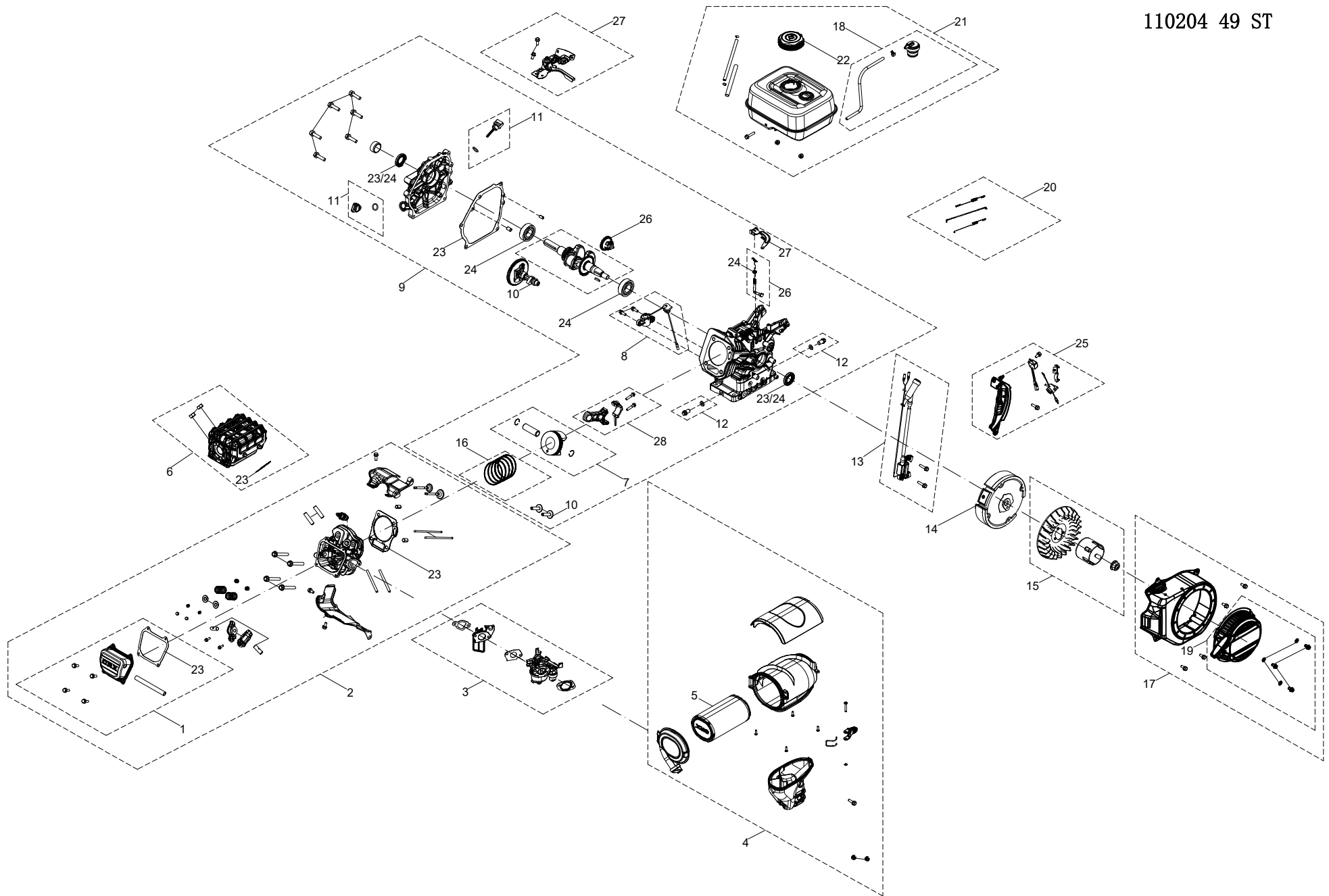


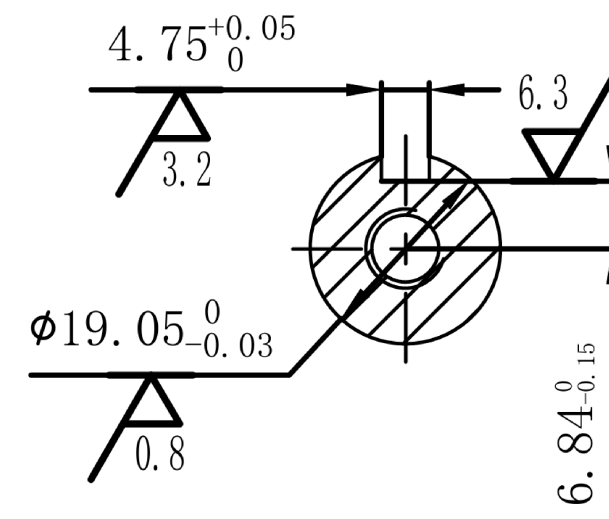
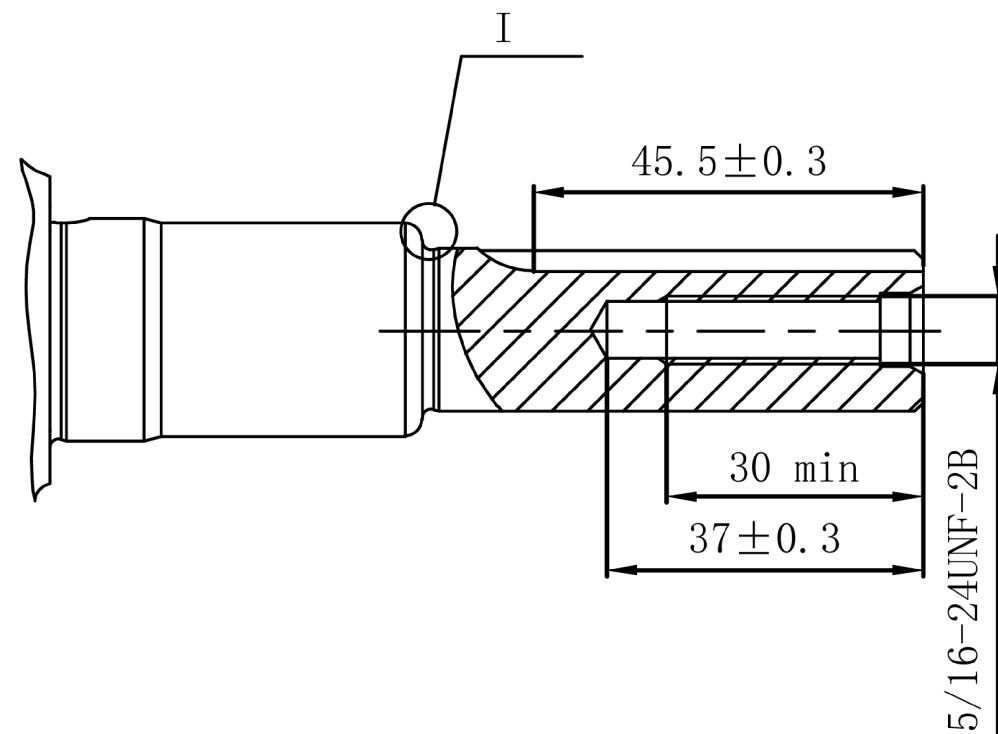
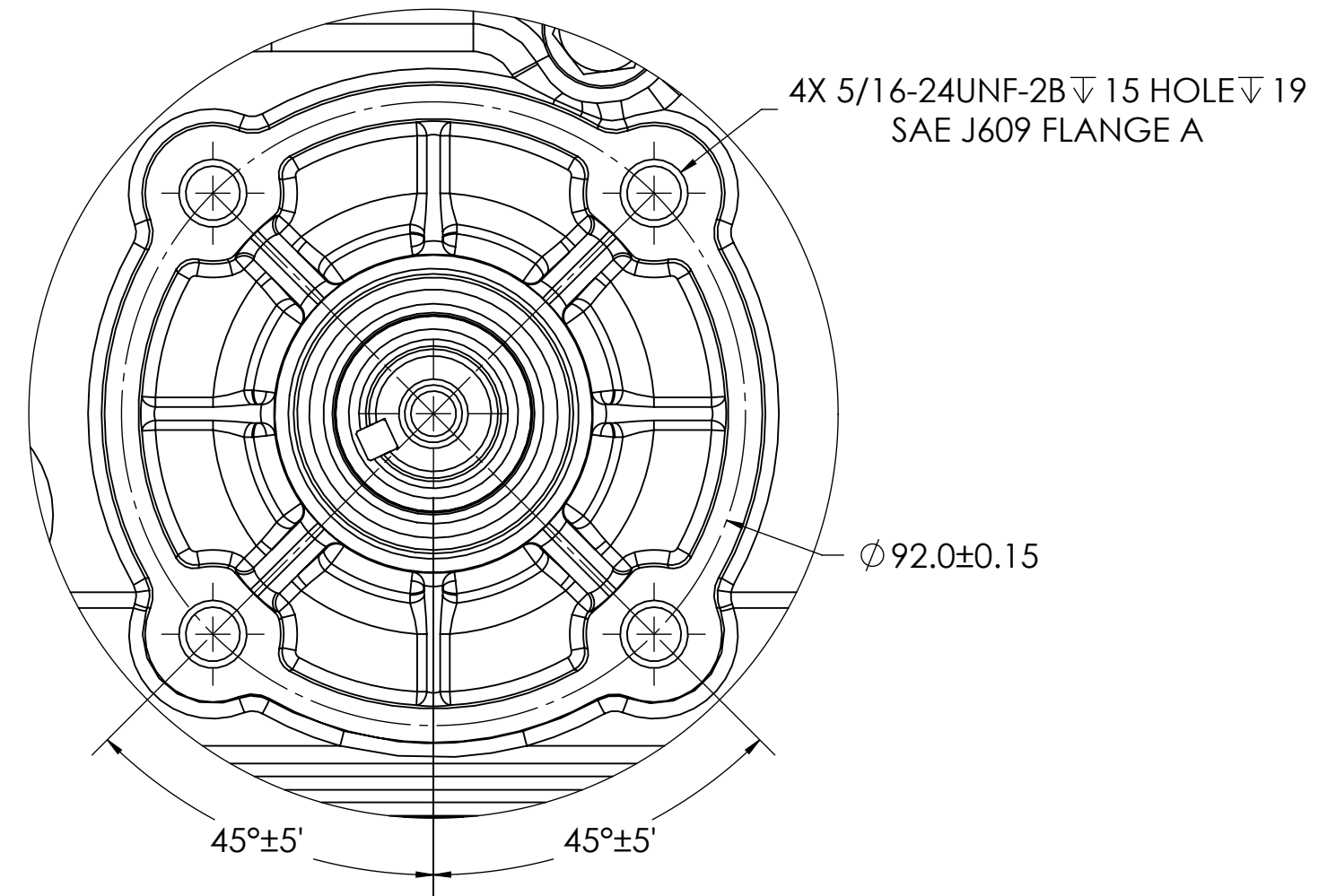
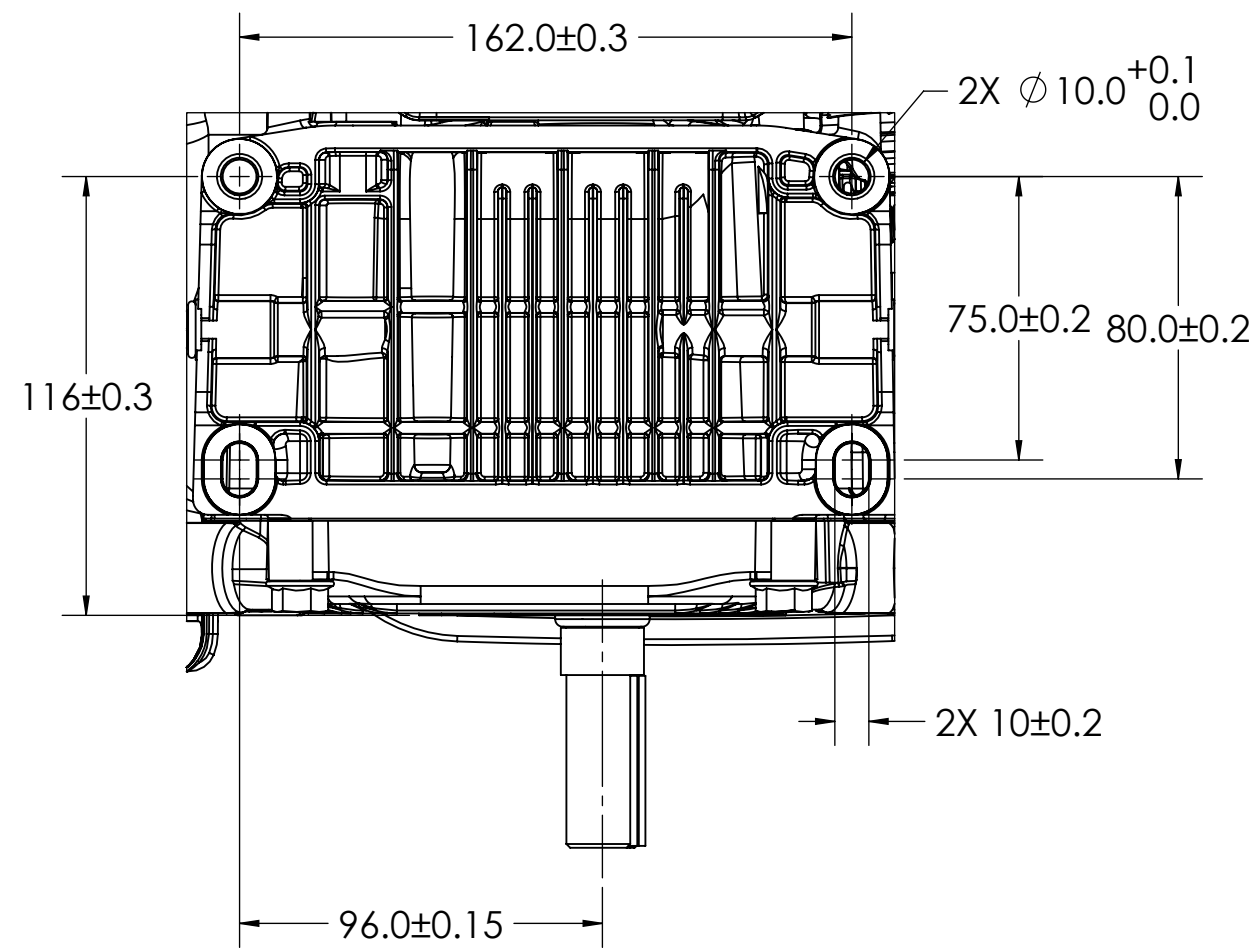
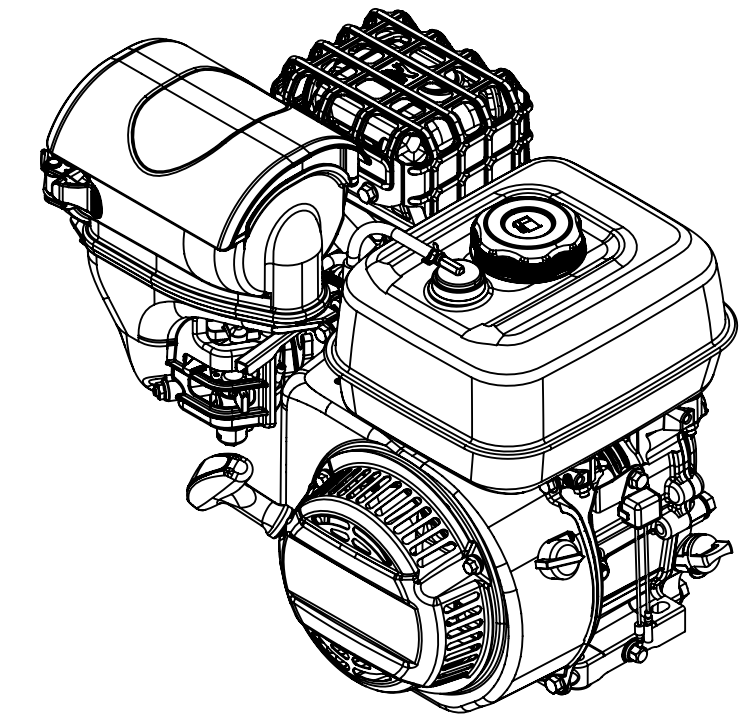
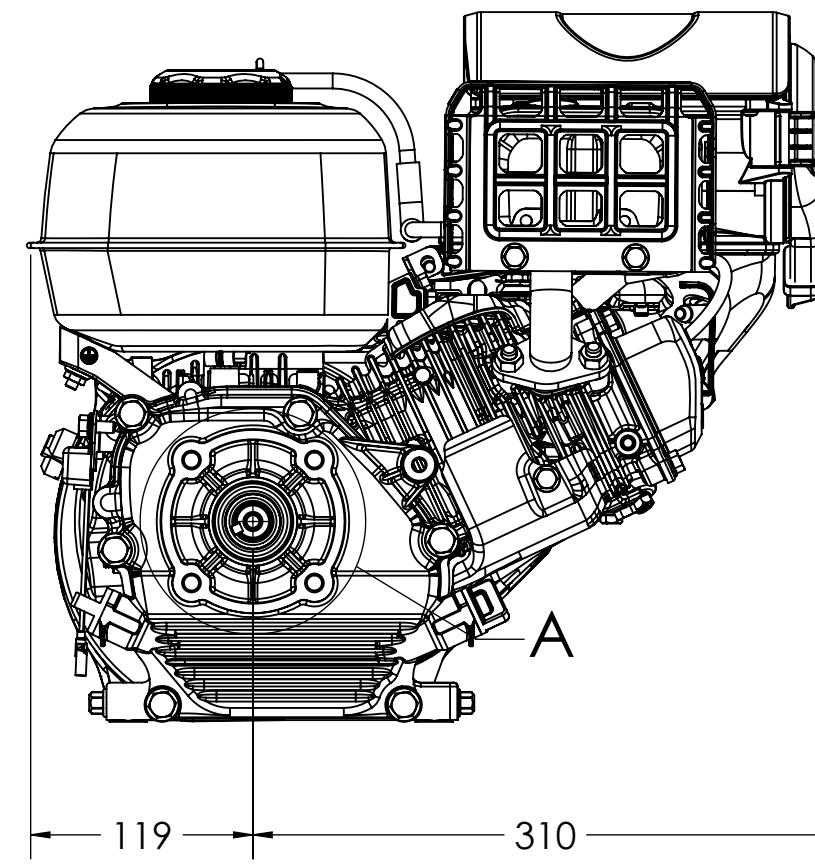
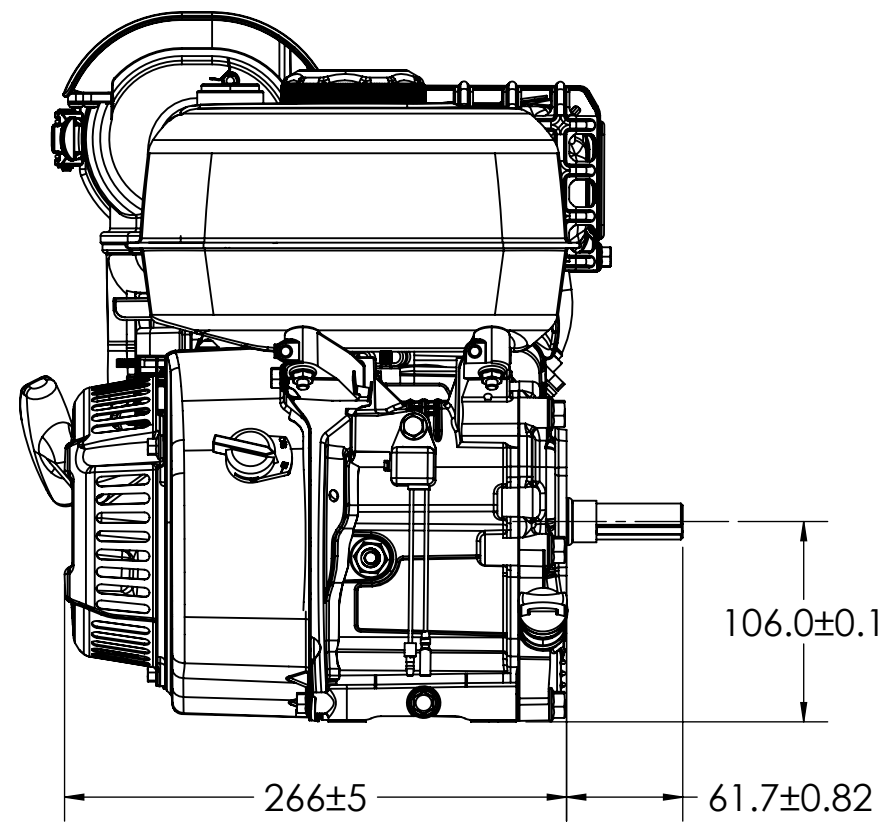
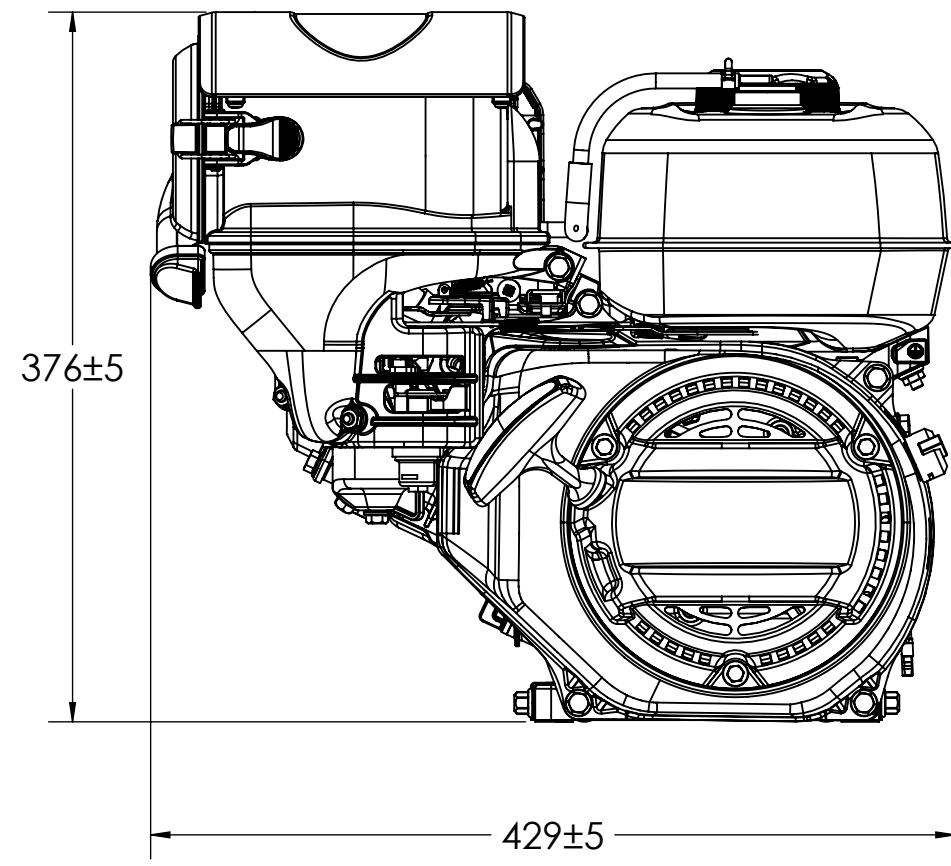
110204 49 ST



CRX225 REVA 1

ITEM	FNA PART NO.	KIT DESCRIPTION	QTY	MATCH
1	7126371	VALVE COVER KIT	1	110204
2	7126372	CYLINDER HEAD KIT	1	110204
3	7126373	CARBURETOR KIT	1	110204
4	7126374	AIR FILTER ASSEMBLY	1	110204
5	7126375	AIR FILTER ELEMENT	1	110204
6	7126376	MUFFLER KIT	1	110204
7	7126377	PISTON KIT	1	110204
9	7126378	SHORT BLOCK KIT	1	110204
10	7126379	CAM&TAPPET SET	1	110204
13	7126380	IGNITION MODULE KIT	1	110204
16	7126382	PISTON RING SET	1	110204
17	7126383	BLOWER HOUSING KIT	1	110204
18	7126384	ROLL OVER VALVE KIT	1	110204
19	7126385	RECOIL STARTER KIT	1	110204
20	7126386	GOVERNOR SPRING KIT	1	110204
21	7126387	FUEL TANK KIT	1	110204
23	7126388	CASKET KIT	1	110204
24	7126389	OIL SEAL AND BEARING KIT	1	110204
26	7126390	INTERNAL GOVERNOR KIT	1	110204
27	7126391	GOVERNOR KIT	1	110204
28	7126392	CONNECTING ROD KIT	1	110204

REV		DESCRIPTION	ECN#	BY	CHECK	APPROVE	DATE
A		INITIAL DRAWING RELEASE					



DETAIL A
SCALE 1:1

THIRD ANGLE PROJECTION
UNLESS OTHERWISE SPECIFIED:
DIMENSIONS ARE IN MM TOLERANCES:
X ± 2.5
.X ± 0.76
.XX ± 0.25
ANGULAR: ± 1° BEND: ± 1°
ALL MACHINED SURFACES: 3.2
INTERPRET GEOMETRIC TOLERANCING
PER LATEST: ASME Y14.5M
DO NOT SCALE DRAWING

FNA-GROUP
7152 99th Street,
Pleasant Prairie, WI 53158
PROPRIETARY AND CONFIDENTIAL
THE INFORMATION CONTAINED IN THIS
DRAWING IS THE SOLE PROPERTY OF FNA-
GROUP. ANY REPRODUCTION IN PART OR
AS A WHOLE WITHOUT THE WRITTEN
PERMISSION OF FNA-GROUP IS PROHIBITED.
WEIGHT: 15500g
MATERIAL:

DESCRIPTION:
**CRX225, RECOIL START,
GENERAL PURPOSE**
BREAK ALL SHARP
EDGES AND
REMOVE BURRS
DWG. NO.
2432103CUST
REV:
A
1 OF 1